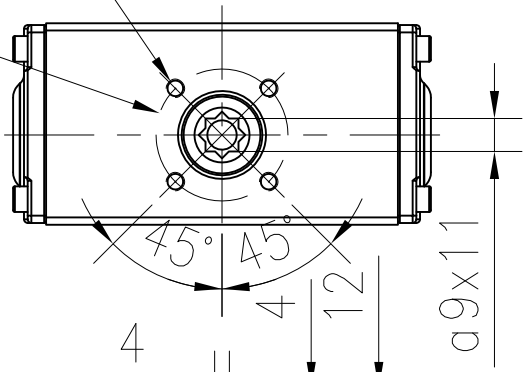


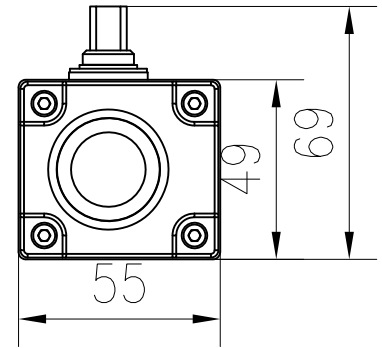
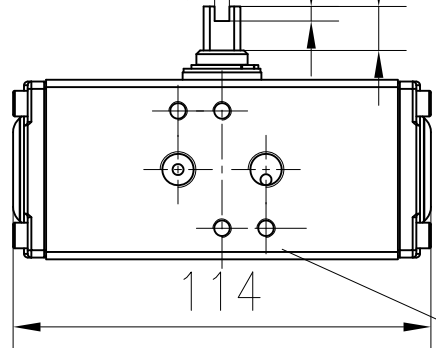
32

4xM5x8

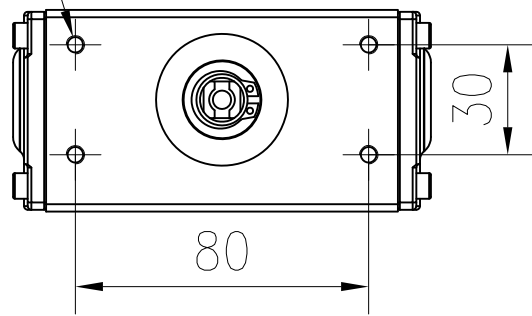
ø36



a9x11

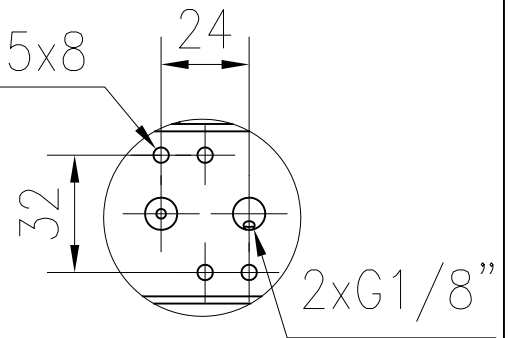


4xM5x8



I
1:2

4xM5x8



MARKER	Place	Modification	File NO.	SIGN	DATE
DESIGNER		STANDED			
		Ver.			
PROOF					
PROCESS		DATE		SHEET	PAGE

Ascend Torque Flow Controls Co., Ltd.	
Dimensions	
32	